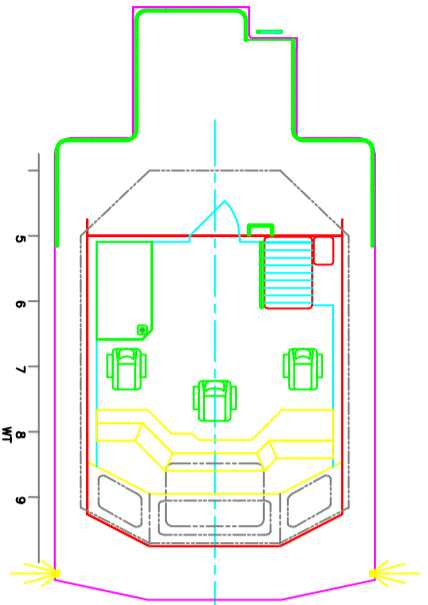
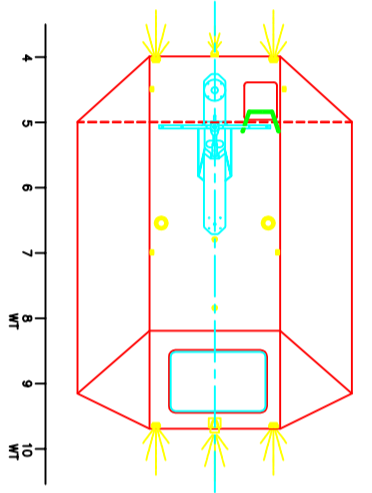


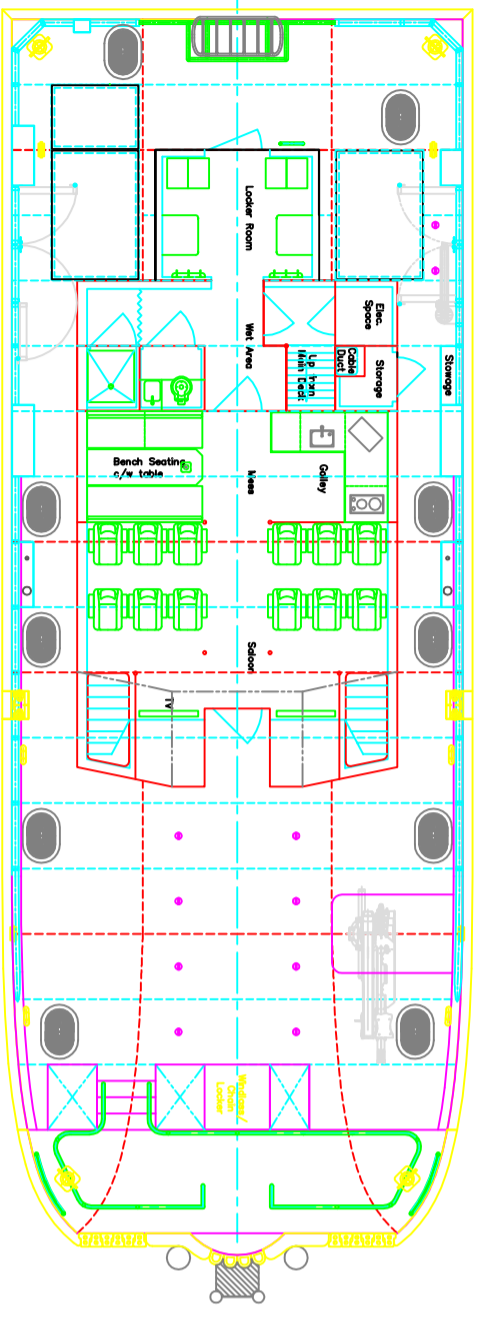
PROFILE FROM STARBOARD



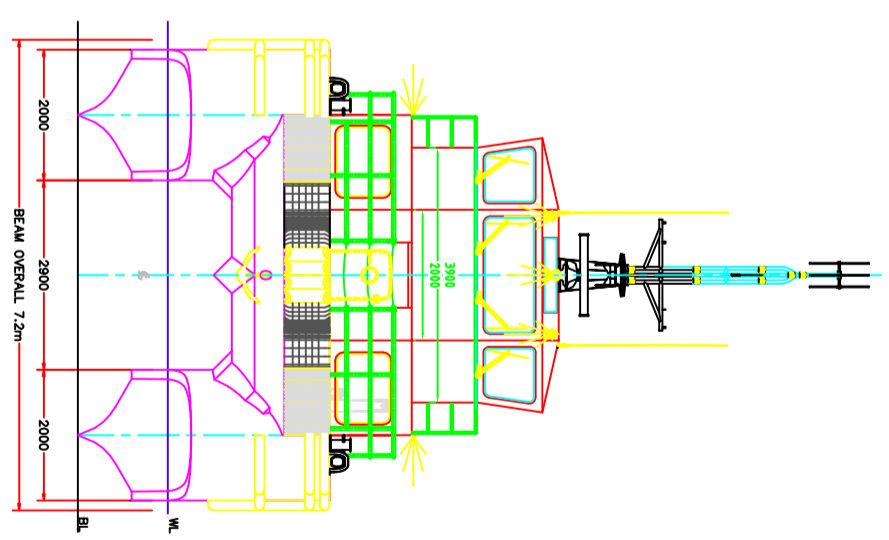
PLAN ON WHEELHOUSE DECK



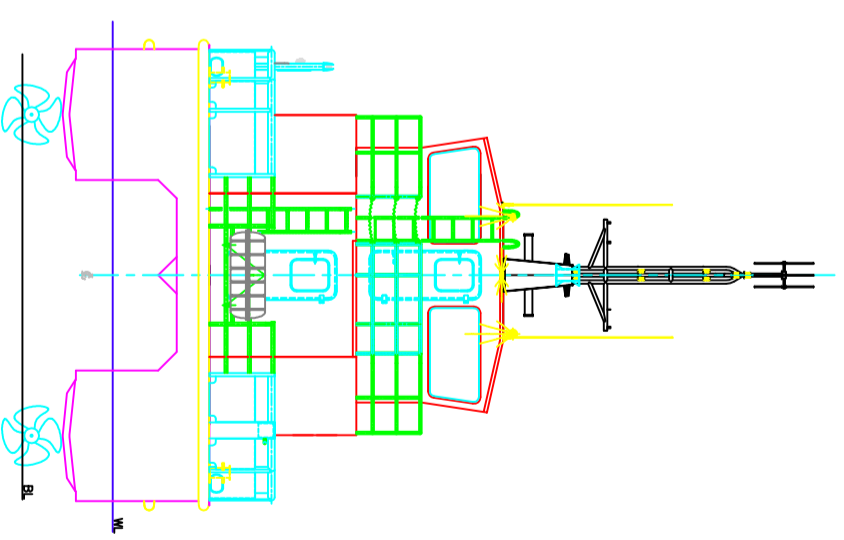
PLAN ON MAIN DECK



PLAN ON CREW CABINS



VIEW FROM FWD



VIEW FROM AFT

**PRINCIPLE DIMENSIONS**

Length Overall 18.9m  
 Beam Overall 7.2m  
 Draft (light) 1.3m  
 Payload 3.5 tonnes  
 Speed (max) 23 knots  
 Engines Cummins QSK-19  
 Propulsion 2 No. 3000mm Props - thc

Rev.	Date	Rev. description	By	Approval	No.
06	06/09/12	Client's requirements incorp	MJM		3
05	13/08/12	Refit issue	MJM		3
04	21/05/12	Door opening & Stairs	JC		3
03	09/01/12	General Update	AK		3
02	06/12/11	General Update	MJM		3
01	10/09/11	First issue	HT		2

All dimensions in mm, unless stated  
 Scale: 1:40 (Refitted at 40)  
 Project ref: 18 0145  
 No. 001

**19m WINDFARM SERVICE VESSEL  
 GENERAL ARRANGEMENT - VER2-C  
 REFIT**



**Aluminium Workboats**  
 Almaritec Ltd, Windbourne Quay, 50/52, Northdown Road, NCT4 1PW  
 Tel: 01493 740000 Fax: 01493 740001  
 Email: sales@almaritec.co.uk Web: www.almaritec.co.uk